

EV6552A Series IP Camera

Discreet Appearance, Versatile Features,
Superior Image Quality at Low Bandwidth



H.264

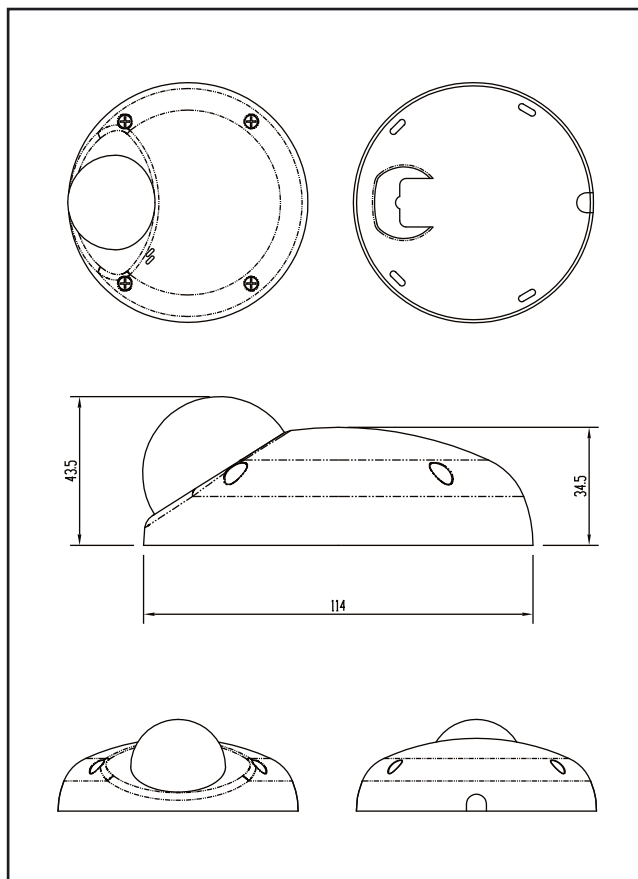
Audio

PoE

Features

- 1/4" Sensitive CMOS
- 90° Pan, 10° Tilt Adjustable
- 3.6 mm Fixed Lens ; 0.5 Lux
- Day and Night ; DIP Switch
- H.264, MPEG-4, M-JPEG Dual Streams Simultaneously
- VGA, QVGA, QQVGA Image Resolution
- Up to 30fps at VGA Resolution
- 2-way Audio ; Digital In / Out
- Power over Ethernet (EV6552AP)
- UP to 20 sec Video Buffer
- ARM 9 Based 32-bit RISC, 1024Mbits
- Female RJ-45 Ethernet 10Base/100 Base TX
- File/Clip Upload via FTP and Email,
Notification via Email, External Output Activation

Dimensions



Specifications

	Model	EV6552A	EV6552AP
Lens / Sensor	Sensor	1/4" Low-Light Sensitive CMOS	
	Lens Mounted	3.6mm Fixed Lens	
	Number of Effective Pixels (HxV)	640 x 480	
	Electronic Shutter	1/30~1/50,000	
	Gain	Auto	
	White Balance	Auto	
Analog Video Output	Scanning System	Progressive Scan	
	Sync System	Internal	
	Resolution	640 X 480 VGA	
	S/N Ratio	38dB	
System	Minimum Illumination	0.5 Lux	
	CPU	ARM 9 Based 32 Bit RISC	
	SDRAM	64 MB	
	Flash	16 MB	
Compression-Video / Audio	Embedded OS	Linux 2.6	
	Format	M-JPEG, MPEG-4, H.264 Dual Stream Simultaneously	
	Frame Rate	Up to 30fps @ VGA Resolution	
	Video Resolution	VGA (640X480), QVGA (320X240), QQVGA (160X120)	
IP Network	Bit Rate	M-JPEG: 5 Video Quality Level Selectable; MPEG-4/H.264 : 64K~4Mbps	
	Audio	2-Way (Built-in High Sensitive MIC, Line Out Cable)	
I/O Connector	Ethernet	10/100 Base-T	
	Protocol	TCP/IP, DHCP, PPPoE, HTTP, DDNS, NTP, FTP, SMTP, UDP, RTP, RTSP, 3GPP, UPnP	
Mechanical Info.	Network	1 x RJ-45 (Female Type)	
	Power	1 X DC Jack (Female Type)	
	Audio	Line Out x 1	
	Alarm In/Out	Onboard Terminal Block (Digital In x 1 / Digital Out x 1)	
Optional	Configuration	EtroLink™, Onboard Mini-USB Female Socket	
	Video Out	Onboard 2-Pin Wafer for Additional BNC Cable	
	Housing Construction	Compact, Flat Design Housing	
Minimum System Requirements	Dimension	Tilt 0~90 / Pan +/-10 / Rotation +/-10	
	Weight	114 (Ø) x 39 (H) mm	
	PoE (IEEE 802.3af)	N/A	YES
Management & Support	CPU	Pentium 4, 2.4GHz and Above	
	Hard Disk	40 GB or Above	
	Memory	512 MB or Above	
	Operating System	Windows XP with SP2 or Above / Windows 2000 with SP4 or Above	
Operating Environment	Video Resolution	SVGA or XGA with 1024x768 Resolution	
	Software	DirectX 9.0C or Above	
	Configuration	EtroScan™ Utility	
Supplied Accessories	Integration	EtroSDK™ 3.0 Support (Windows, Linux, CGI)	
	Web Browser	Microsoft Internet Explorer 6.0, or Above	
Operating Environment	Security	Password Protection	
	Temperature	0 °C ~ 40 °C (32 °F ~ 104 °F)	
Supplied Accessories	Humidity	20% ~ 80% RH	
	Power Adapter, CD-ROM (User Manual, Free Bundle NVR), USB Cable, BNC Cable		