

EV6532A Series IP Camera

Discreet Appearance, Easy-of-use,
Versatile Features for Indoor Application



MPEG4

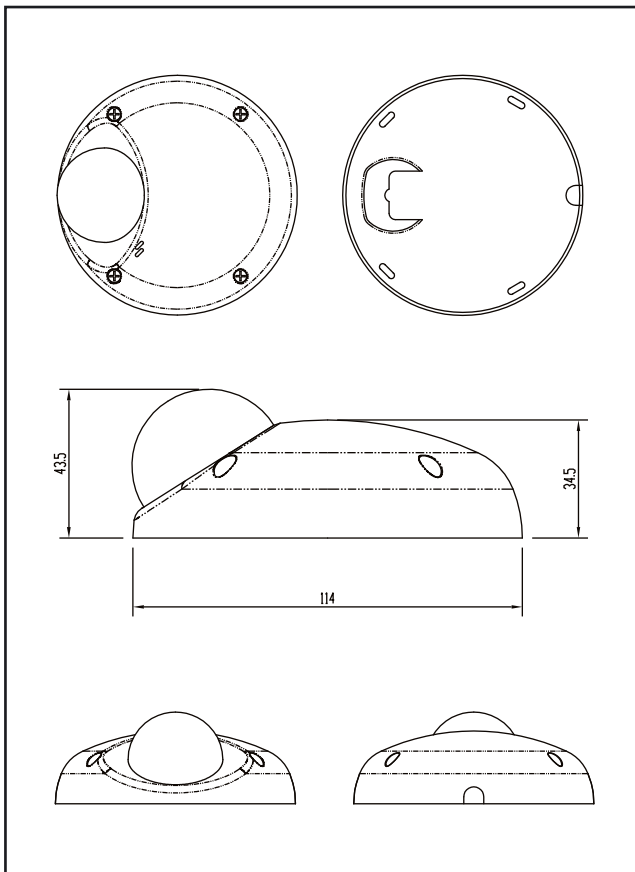
Audio

PoE

Features

- 1/4" Low-light Sensitive CMOS
- 90° Pan, 10° Tilt Adjustable
- 3.6 mm Fixed Lens
- 0.5 Lux ; DIP Switch
- MPEG-4, M-JPEG
- VGA, QVGA, QQVGA Image Resolution
- Up to 30fps at VGA Resolution
- 2-way Audio
- Built-in Microphone
- Digital In / Out
- Power over Ethernet Support (EV6532AP)
- UP to 20 sec Video Buffer
- ARM 9 Based 32-bit RISC, 512Mbits
- File/Clip Upload via FTP and Email, Notification via Email, External Output Activation

Dimensions



Specifications

	Model	EV6532A	EV6532AP
Lens / Sensor	Sensor	1/4" Low-Light Sensitive CMOS	
	Lens Mounted	3.6mm Fixed Lens	
	Number of Effective Pixels (HxV)	640 x 480	
	Electronic Shutter	1/30~1/50,000	
	Gain	Auto	
	White Balance	Auto	
Analog Video Output	Scanning System	Progressive Scan	
	Sync System	Internal	
	Resolution	640 X 480 VGA	
	S/N Ratio	38dB	
System	Minimum Illumination	0.5 Lux	
	CPU	ARM 9 Based 32 Bit RISC	
	SDRAM	64 MB	
	Flash	8 MB	
	Embedded OS	Linux 2.4	
Compression-Video / Audio	Format	M-JPEG, MPEG-4 Dual Codec	
	Frame Rate	Up to 30fps (NTSC) / 25fps (PAL) @ VGA Resolution	
	Video Resolution	VGA (640X480), QVGA (320X240), QQVGA (160X120)	
	Bit Rate	64k ~ 3M bps	
	Audio	Built-in Microphone, Line Out x 1	
IP Network	Ethernet	10/100 Base-T	
	Protocol	TCP/IP, DHCP, PPPoE, HTTP, DDNS, NTP, FTP, SMTP,UDP	
I/O Connector	Network	1 x RJ-45 (Female Type)	
	Power	1 X DC Jack (Female Type)	
	Audio	Line Out x 1 ; 8 kHz Stereo, ADPCM,	
	Alarm In/Out	Onboard Terminal Block (Digital In x 1 / Digital Out x 1)	
	Configuration	EtroLink™, Onboard Mini-USB Female Socket for Network Setting	
	Video Out	Onboard 2-Pin Wafer for Additional BNC Cable	
Mechanical Info.	Housing Construction	Compact, Flat Design Housing	
	Dimension	Tilt 0~90 / Pan +/-10 / Rotation +/-10	
	Weight	114 (Ø) x 39 (H) mm	
Optional	PoE (IEEE 802.3af)	N/A	YES
	Weight	330g	
Minimum System Requirements	CPU	Pentium 4, 2.4GHz and Above	
	Hard Disk	40 GB or Above	
	Memory	512 MB or Above	
	Operating System	Windows XP with SP2 or Above / Windows 2000 with SP4 or Above	
	Video Resolution	SVGA or XGA with 1024x768 Resolution	
	Software	DirectX 9.0C or Above	
Management & Support	Configuration	EtroScan Utility	
	Integration	EtroSDK™ Support (Windows, Linux, WinCE.NET)	
	Web Browser	Microsoft Internet Explorer 6.0, or Above	
Operating Environment	Security	Password Protection	
	Temperature	0 °C ~ 40 °C (32 °F ~ 104 °F)	
Supplied Accessories	Humidity	20% ~ 80% RH	
	Supplied Accessories	Power Adapter, CD-ROM (User Manual, Free Bundle NVR), USB Cable	