

# EV6531A Series IP Camera

3-Axis Design and Vari-focal Lens,  
Vandal/Weather-proof, Full Features for Various Applications



MPEG4

Audio

PoE

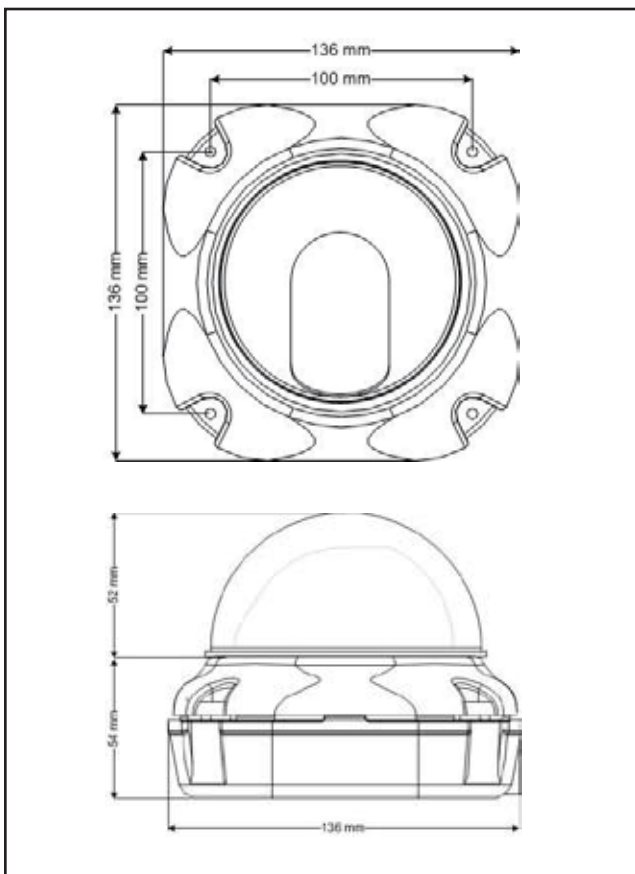
IP66

Day & Night

## Features

- 1/3" High Resolution CCD+SONY 11X DSP
- 1/3" SONY Super HAD CCD (EV6531A-BI / EV6531AP-BI)
- 3-Axis Swivel Design
- 3~9mm (F1.2) Auto Iris Lens (EV6531A-CI Series)
- 0.1 Lux (IR Off), 0 Lux (IR On)
- Day and Night
- MPEG-4, M-JPEG
- D1, CIF, QCIF Image Resolution
- Up to 30fps (NTSC)/ 25fps (PAL) at D1 Resolution
- 2-way Audio
- Digital In / Out
- Power over Ethernet Support (Optional)
- Vandal-proof and Weather-proof Housing (IP66)

## Dimensions



## Specifications

	Model	EV6531A-BI	EV6531AP-BI	EV6531A-CI	EV6531AP-CI
Lens / Sensor	Sensor	1/3" SONY Super HAD CCD		1/3" High Res. CCD+ SONY 11X DSP	
	Lens Mounted	6mm fixed lens		3~9mm (F1.2) Auto Iris Lens	
	Number of Effective Pixels (HxV)	510 x 492 (NTSC)		768 x 494 (NTSC)	
		500 x 582 (PAL)		752 x 582 (PAL)	
	Electronic Shutter	1/60~1/100,000(NTSC) , 1/50~ 1/100,000(PAL)			
	BLC	Auto			
	Gain	Auto			
	White Balance	Auto			
Analog Video Output	Scanning System	15734Hz, 60Hz (NTSC) , 15625Hz, 50Hz(PAL)			
	Sync System	Internal			
	Horizontal Resolution	420 TV Lines		520 TV Lines	
	S/N Ratio	More than 48 dB			
	Minimum Illumination	0.1 Lux (IR off), 0 Lux (IR on)		0.05 lux (IR off), 0 lux (IR on)	
System	CPU	ARM 9 Based 32 Bit RISC			
	SDRAM	64 MB			
	Flash	8 MB			
	Embedded OS	Linux 2.4			
Compression-Video / Audio	Format	M-JPEG, MPEG-4 Dual Codec			
	Frame Rate	Up to 30fps (NTSC) / 25fps (PAL) @D1 Resolution			
	Video Resolution	NTSC: D1 (720x480), CIF(352x240), QCIF(176x120) PAL: D1 (720x576), CIF(352x288), QCIF(176x144)			
	Bit Rate	64k ~ 3M bps			
	Audio	Line In x 1 / Line Out x 1			
IP Network	Ethernet	10/100 Base-T			
	Protocol	TCP/IP, DHCP, PPPoE, HTTP, DDNS, NTP, FTP, SMTP,UDP			
I/O Connector	Network	1 x RJ-45 (Female Type) with LED			
	Power	1 X DC Jack (Female Type)			
	Audio	Line In x 1 / Line Out x 1 ; 8 kHz Stereo, ADPCM,			
	Alarm In/Out	Digital In x 1 / Digital Out x 1			
	Video Out	Video Out X 1, Terminal block			
IR LED	LED	12 pcs		24pcs	
	Max Night Vision	10 Meters		20 Meters	
Mechanical Info.	Housing Construction	Robust Housing / Burglar-Proof Screw		3-Axis Swivel Design (Ceiling / Wall Mount)	
		90 Degree			
	Dimension	136 (Ø) x 106 (H) mm			
	Weight	925g			
	DC output	LED on : DC 12 V / 560 mA		LED on : DC 12 V / 660 mA	
		LED Off : DC 12 V / 460 mA		LED off : DC 12 V / 460 mA	
Optional	PoE (IEEE802.3af)	N/A	YES	N/A	YES
	CPU	Pentium 4, 2.4GHz and Above			
Minimum System Requirements	Hard Disk	40 GB or Above			
	Memory	512 MB or Above			
	Operating System	Windows XP with SP2 or Above / Windows 2000 with SP4 or Above			
	Video Resolution	SVGA or XGA with 1024x768 Resolution			
	Software	DirectX 9.0C or Above			
Management & Support	Configuration	EtroScan™ Utility			
	Integration	EtroSDK™ Support (Windows, Linux, WinCE.NET)			
	Web Browser	Microsoft Internet Explorer 6.0, or Above			
	Security	Password Protection			
Operating Environment	Temperature	0 °C ~ 40 °C (32 °F ~ 104 °F)			
	Humidity	20% ~ 80% RH			
Supplied Accessories	Power Adapter, USB Cable , CD-ROM (User Manual, Free Bundle NVR)				