

# EV6356A Series IP Camera

H.264 Professional IR PoE Outdoor IP Camera



H.264

Audio

PoE

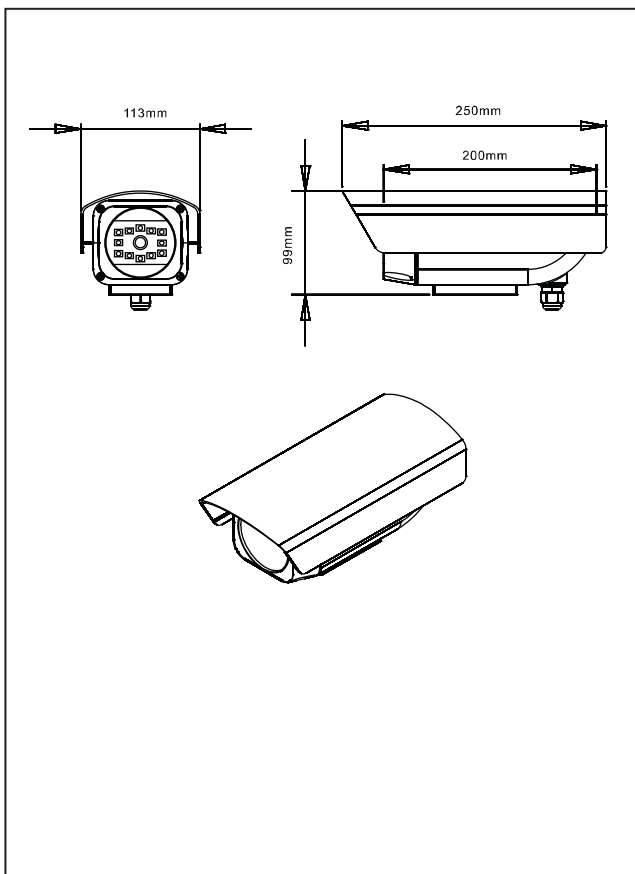
IP66

Day & Night

## Features

- 1/3" SONY CCD with High Image Quality
- IP66 Water Proof
- 12pcs High-light LED, Performing 35M IR Distance
- PoE Support (Optional)
- Auto Control : Backlight Compensation / Gain Control / White Balance
- Vari-focal / Auto Iris Lens
- Auto Gain / Auto White Balance
- 30fps, H.264 / M-JPEG / MPEG-4 at D1 Resolution
- 2-way Audio
- Full-feature System Design
- 0.06 Lux / 0 Lux (IR LED On)

## Dimensions



## Specifications

		EV6356A-BO	EV6356AP-BO	EV6356A-CO	EV6356AP-CO
Lens / Sensor	<b>Sensor</b>	1/3" Sony CCD Sensor			
	<b>Lens</b>	External Adjustable Lens of Vari-focal / Auto Iris 3.8-9.5mm		External Adjustable Lens of Vari-focal / Auto Iris 9-22mm from Outside	
	<b>Auto Control</b>	BackLight Compensation / Gain Control / White Balance			
	<b>Number of Effective Pixels (HxV)</b>	811 x 508 (NTSC) , 795 x 596 (PAL)			
	<b>Electronic Shutter</b>	NTSC: 1/60-100,000 sec . PAL: 1/50-100,000			
	<b>Iris</b>	Auto Iris			
	<b>Gain</b>	Auto			
IR LED	<b>White Balance</b>	Auto			
	<b>Built-in IR LED</b>	12pcs High-Light LED			
	<b>IR Wavelength /Beam Angle</b>	850nm			
	<b>IR View Angel</b>	View Angle:50~180° , Beam Spread:30°/per LED			
Analog Video Output	<b>Max. IR Range</b>	35 Meter			
	<b>Horizontal Resolution</b>	520 TV lines			
	<b>S/N Ratio</b>	More than 50dB (AGC Off)			
System	<b>Minimum Illumination</b>	0.06 Lux / 0 Lux (IR LED On)			
	<b>CPU</b>	ARM 9 Based 32 bit RISC			
	<b>SDRAM</b>	128 MB			
	<b>Flash</b>	16 MB			
Compression-Video/Audio	<b>Embedded OS</b>	Linux 2.6			
	<b>Format</b>	H.264, M-JPEG, MPEG-4 Dual Stream			
	<b>Frame Rate</b>	Up to 30fps (NTSC) / 25fps (PAL) @ D1 Resolution			
	<b>Video Resolution</b>	NTSC: D1 (720x480), CIF(352x240), QCIF(176x120) PAL: D1 (720x576), CIF(352x288), QCIF(176x144)			
	<b>Bit Rate</b>	M-JPEG: 5 Video Quality Level Selectable; MPEG-4/H.264 : 64K~4Mbps			
IP Network	<b>Audio Input</b>	8 kHz Stereo, ADPCM			
	<b>Audio Output</b>	8 kHz Stereo, ADPCM			
	<b>Ethernet</b>	10/100 Base-T			
I/O Connector	<b>Protocol</b>	TCP/IP, DHCP, PPPoE, HTTP, DDNS, NTP, FTP, SMTP, UDP, RTP, RTSP, 3GPP, UPnP			
	<b>Network</b>	RJ-45 Ethernet Port			
	<b>Audio</b>	Line In x 1 / Line Out x 1			
	<b>Alarm In/Out</b>	Digital In x 1 / Digital Out x 1			
Mechanical Info.	<b>Video Out</b>	BNC			
	<b>Power</b>	DC Jack			
	<b>Reset</b>	Reset Bottom			
	<b>Power Supply</b>	12V DC / 1.25A			
	<b>Outdoor Protection Level</b>	IP66			
Minimum System Requirements	<b>Dimension</b>	113mm(W) X 250mm(H) X 99mm(D) mm			
	<b>Weight</b>	2.5 kg			
	<b>CPU</b>	Pentium 4, 2.4GHz and Above			
	<b>Hard Disk</b>	40 GB or Above			
	<b>Memory</b>	512 MB or Above			
Management & Support	<b>Operating System</b>	Windows XP with SP2 or Above / Windows 2000 with SP4 or SVGA or XGA with 1024x768 Resolution			
	<b>Software</b>	DirectX 9.0C or Above			
	<b>Configuration</b>	EtroScan™ Utility			
	<b>Integration</b>	EtroSDK™3.0 Support (Windows, Linux, CGI)			
Operating Environment	<b>Web Browser</b>	Microsoft Internet Explorer 6.0. or Above			
	<b>Security</b>	Password Protection			
	<b>Temperature</b>	-20~50°C /			
Supplied Accessories	<b>Humidity</b>	0~90% RH			
		Power Adapter, CD-ROM (User Manual, Free Bundle NVR)			