

15-C025VAI

QTY/CTN: 6



Colour / Monochrome SONY Super HAD CCD Camera in External Housing with 84 IR LED's

420 TVL, 1/3" SONY Super HAD DSP CCD, 6-15mm auto iris lens, 0 Lux with IR on, Full size external housing with 84 x IR LED's provide illumination up to 50 meters, IP66, complete with wall bracket, 12VDC.

FEATURES

- 1/3" Colour SONY Super HAD CCD camera with Vari-focal lens 6-15mm
- 420 TV lines
- Under 2 lux auto switched IR LED's by CDS
- Balanced illumination rang up to 50M
- H-Mirror function
- Auto iris (AI)**
- Auto Electronic Shutter (AES)
- Auto Gain Control (AGC)
- Auto White Balance (AWB)
- Built-in heater and blower
- Fitted into weather proof case, IP66
- Outdoor housing with wall mount bracket
- Power input 12VDC
- NTSC or PAL system
- Heater: ON: under 15°C(±3°) / 59°F(±3°), OFF: over 25°C(±3°) / 77°F(±3°)
- Blower: ON: over 40°C(±3°) / 104°F(±3°), OFF: under 30°C(±3°) / 86°F(±3°)



15-C035VAI

QTY/CTN: 6



Colour / Monochrome SONY Super HAD CCD SHQ1 Camera in External Housing with 84 IR LED's

550 TVL, 1/3" SONY Super HAD DSP CCD SHQ1, 6-15mm auto iris lens, 0 Lux with IR on, Full size external housing with 84 x IR LED's provide illumination up to 50 meters, IP66, complete with wall bracket, 12VDC.

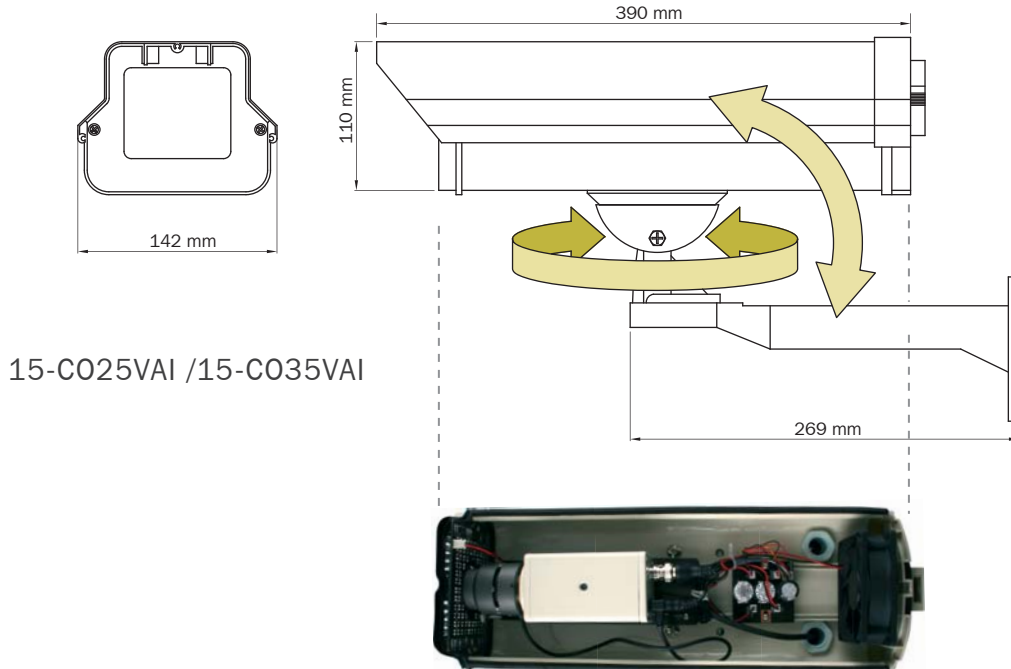
FEATURES

- 1/3" Colour SONY Super HAD CCD camera with Vari-focal lens 6-15mm
- SHQ1 DSP, 550 TV lines**
- Under 2 lux auto switched IR LED's by CDS
- Balanced illumination rang up to 50M
- DSS (Digital slow shutter)**
- DNR (Digital noise reduce)**
- H-Mirror function
- Auto iris (AI)**
- Auto Electronic Shutter (AES)
- Auto Gain Control (AGC)
- Auto White Balance (AWB)
- Built-in heater and blower
- Fitted into weather proof case, IP66
- Outdoor housing with wall mount bracket
- Power input 12VDC
- NTSC or PAL system
- Heater: ON: under 15°C(±3°) / 59°F(±3°), OFF: over 25°C(±3°) / 77°F(±3°)
- Blower: ON: over 40°C(±3°) / 104°F(±3°), OFF: under 30°C(±3°) / 86°F(±3°)



CAMERA

Camera "O" Series



15-C025VAI /15-C035VAI

SPECIFICATION

Items	15-C025VAI	15-C035VAI
Type	Colour / Monochrome	
Pick Up Device	1/3" Colour SONY CCD	
Picture Elements	NTSC: 510(H) x 492(V); PAL: 500(H) x 582(V)	NTSC: 768(H) x 494(V); PAL: 752(H) x 582(V)
Horizontal Resolution	420 TV Lines	550 TV Lines
Mini Illumination	0 Lux at IR LED on	
Vertical Frequency	EIA / NTSC: 60 Hz; CCIR; PAL: 50 Hz	
Scanning System	2 : 1 Interlace	
S/N Ratio	50dB	
Electronic Shutter	NTSC: 1/60 ~ 1/120,000 sec; PAL: 1/50 ~ 1/120,000 sec	
White Balance	Switchable	
Back Light Compensation	Switchable	
Auto Gain Control	Switchable	
IR LED	84 pcs (850nm)	
Lens	6~15 mm Auto IRIS	
Video Output	1Vp-p Composite Video (75Ω)	
Gamma	0.45	
Waterproof	IP66	
Dimensions	390(L) x 142(W) x 110(H) mm	
Weight	1,500 g	
Power Supply	DC12V±10%	
Power Consumption	1600mA (Max)	
Storage Temperature	-30°C ~ 60°C	
Operating Temperature	-10°C ~ 50°C	