

15-CM35VA

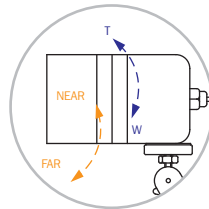
QTY/CTN: 12



Colour / Monochrome SONY Super HAD CCD Vari-focal Camera with IR LED's
380 TVL, 1/4" SONY Super HAD DSP finger camera, 2.8-11mm IR lens,
0 lux with LED's on, LED range up to 15 meters, photo cell to switch LED's
on/off, IP65, complete with bracket, 12VDC operation.

FEATURES

- 1/4" SONY Super HAD CCD
- 380 TV lines
- TAMRON original manual IR lens 2.8~11 mm**
- Under 2 lux auto switched IR LEDs by CDS
- IR out-of-focus correction
- 0 Lux with IR LED's on
- LED range up to 15m
- Balanced illumination
- Auto electronic shutter (AES)
- Auto gain control (AGC)
- Fitted into weather resistant finger type case
- Adjustable sun / weather shield
- 1.5 meters cable with BNC, DC Jack connectors
- Complete with fixing bracket
- Power input 12VDC
- NTSC or PAL system



Focus Adjustable



* TAIWAN PATENT: M 265622, 2005 ~ 2014
* CHINA PATENT: ZL200520018296.6, 2005 ~2014

15-CM35HVA

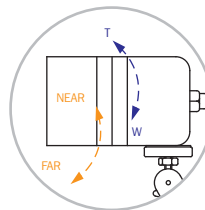
QTY/CTN: 12



Colour / Monochrome SONY Super HAD Hi-Resolution CCD Vari-focal Camera with
IR LED's
480 TVL, 1/4" SONY Super HAD Hi-Resolution CCD finger camera, 2.8-11mm IR lens,
0 lux with LED's on, LED range up to 15 meters, photo cell to switch LED's on/off,
IP65, complete with bracket, 12VDC operation.

FEATURES

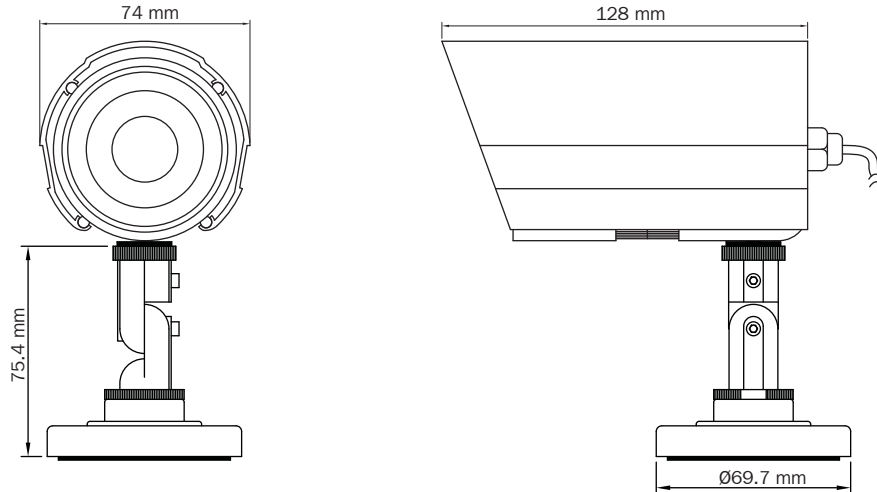
- 1/4" SONY Super HAD high resolution CCD
- 480 TV lines
- TAMRON original manual IR lens 2.8~11 mm**
- Under 2 lux auto switched IR LEDs by CDS
- IR out-of-focus correction
- 0 Lux with IR LED's on
- LED range up to 15m
- Balanced illumination
- Auto electronic shutter (AES)
- Auto gain control (AGC)
- Fitted into weather resistant finger type case
- Adjustable sun / weather shield
- 1.5 meters cable with BNC, DC Jack connectors
- Complete with fixing bracket
- Power input 12VDC
- NTSC or PAL system



Focus Adjustable



* TAIWAN PATENT: M 265622, 2005 ~ 2014
* CHINA PATENT: ZL200520018296.6, 2005 ~2014



15-CM35VA / 15-CM35HVA

SPECIFICATION

Items	15-CM35VA	15-CM35HVA
Type	Colour / Monochrome	
Pick Up Device	1/4" SONY super HAD CCD	
Picture Elements	NTSC: 510(H) x 492(V); PAL: 500(H) x 582(V)	NTSC: 768(H) x 494(V); PAL: 752(H) x 582(V)
Horizontal Resolution	380 TV Lines	480 TV Lines
Mini Illumination	0 Lux @ IR on	
Horiz. SYNC. Frequency	NTSC: 15.734 KHz; PAL: 15.625 KHz	
Vertical Frequency	NTSC: 60 HZ; PAL: 50 HZ	
Clock Frequency	NTSC: 19.0699 MHz; PAL: 18.9375 MHz	
Scanning System	2 : 1 Interlace	
Signal Ratio	More than 50dB	
Electronic Shutter	NTSC: 1/60 ~ 1/120,000 sec; PAL: 1/50 ~ 1/120,000 sec	
Lens	f = 2.8 ~ 11 mm	
Video Output	1Vp-p Composite Video (75Ω)	
Audio Output	No	
Day & Night	Under 2 Lux into the monochrome view	
Gamma	0.45	
Power Supply	12VDC (± 0.5V)	
Power Consumption	100mA (IR off) / 250mA (IR on)	125mA (IR off) / 325mA (IR on)
Dimensions	ø74(D) x 128(L) mm	
Weight	530 g	
Housing (Black or Silver)	Aluminum	
Storage Temperature	-30°C ~ 60°C	
Operating Temperature	-10°C ~ 45°C	