

15-CD55

QTY/CTN: 2



Colour Internal High Speed Dome

470 TVL, 1/4" Colour SONY Super HAD CCD speed dome fitted into flush mount internal housing, RS485 multi protocols, 4.1~73.8 mm with total of 216X zoom, Spot AE, 128 presets, Alarm I/O, Tamper Resistant, 24VAC Operation

FEATURES

- 1/4" CCD with **SONY original module (FCB-EX45)**
- Low sensitivity of 1.0 Lux (50 IRE)
- High horizontal resolution 470TVL
- 216x zoom ratio 18X optical, 12X digital
- 8 zoom privacy mask
- 4 Alarm input and 2 alarm output
- 5 auto cruising track and 2 min patrol
- Pan speed up to 300°/s; Tilt speed up to 150°/s
- RS-485 multi protocols communication
- Anti-drop wire for module
- Tamper-resistant housing
- AC 24V input, Internal / External sync
- Size: ø133 x 216.5 mm



Quick Install

SONY Original Module (FCB-EX45)
Camera Module Changeable by OEM

15-CD55W-480

QTY/CTN: 2



Colour / Monochrome External High Speed Dome

470 TVL, 1/4" SONY EX-view HAD CCD, 4.1~73.8 mm with 18X optical and 12X digital zoom to give a total of 216X zoom, auto ICR, alarm I/O, 3D coordinate, 8 zones privacy mask, 128 presets, 5 auto cruising track and auto patrol, pan range 0~360°@speed 0.5~300°/s, tilt range 0~180°@speed 0.5~150°/s, RS-485 multi-protocols, built-in heater and fan, tamper resistant housing complete with quick wall mount bracket, weather proof housing, 24VAC Operation, IP66

FEATURES

- 1/4" CCD with **SONY original module (FCB-EX480)**
- Low sensitivity of 0.01 lux (F1.4, ICR on)
- High horizontal resolution 470TVL
- 216X zoom ratio 18X optical, 12X digital
- 8 Privacy mask zone**
- 3-D coordinate**
- 4 alarm input and 2 alarm output
- 5 auto cruising track, and 2 min patrol
- Pan range 0~360°, speed 300°/s
- Tilt range 0~180°, speed 150°/s
- RS-485 multi-protocols communication
- Anti-drop wire for bubble cover**
- Built-in heater and blower
- External weather tamper resistant housing
- Wall mount bracket included
- AC24V input
- Internal / External Sync
- Size: ø200 x 280 mm



18X Optical Zoom

15-CD55W-980

QTY/CTN: 2



Colour / Monochrome External High Speed Dome

470 TVL, 1/4" SONY EX-view HAD CCD, 3.5~91 mm with 26X optical and 12X digital zoom to give a total of 312X zoom, auto ICR (FCB-EX980), built-in heater and fan, tamper resistant housing complete with quick wall mount bracket, weather proof housing, 24VAC Operation, IP66, Others identical to 15-CD55W-480



26X Optical Zoom

15-CD55W-1000

QTY/CTN: 2

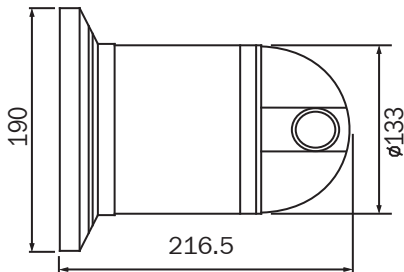


Colour / Monochrome SONY Ex-view HAD External High Speed Dome

470 TVL, 1/4" SONY EX-view HAD CCD, 3.4~122.4 mm with 36X optical and 12X digital zoom to give a total of 432X zoom, ICR (FCB-EX1000), built-in heater and fan, tamper resistant, external weather proof, complete with quick wall mount bracket, 24VAC Operation, IP66, Others identical to 15-CD55W-480



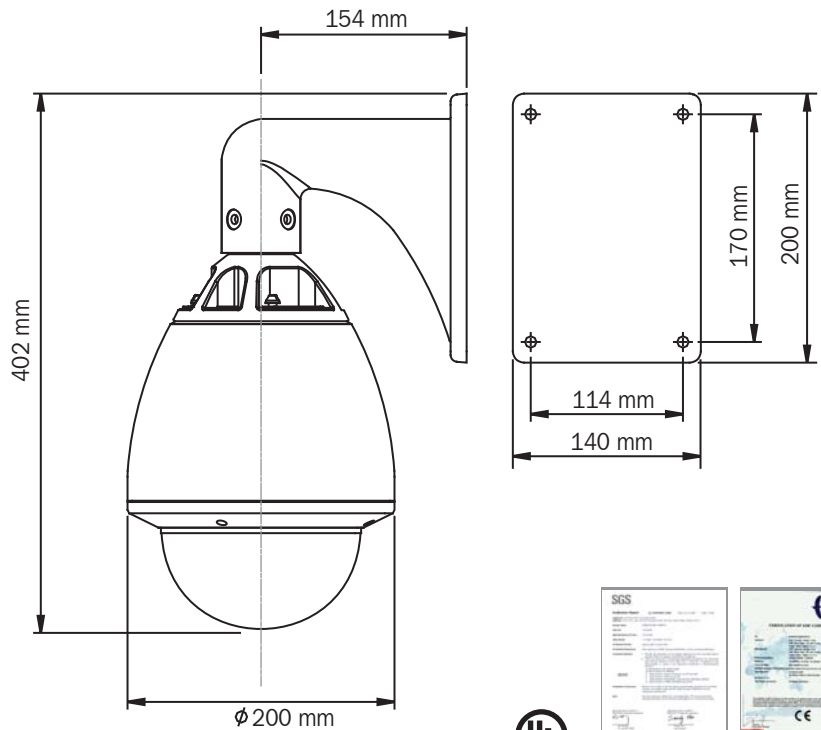
36X Optical Zoom



Simply line up the speed dome and twist into place



Once in place tighten the screws to lock the dome in place; it's that simple!



E314700



RoHS



CE

SPECIFICATION Camera Module Changeable, Please Refer to P.50

Item	15CD55	15-CD55W-480	15-CD55W-980	15-CD55W-1000
Zoom Camera Module	FCB-EX45C	FCB-EX480C	FCB-EX980	FCB-EX1000
Signal System	NTSC / PAL			
Image Sensor	1/4" SONY Super HAD CCD	1/4" SONY EX-View HAD CCD		
Picture Elements	NTSC: 768(H) x 494(V) / PAL: 752(H) x 582(V)			
Resolution	470 TV Lines			
Video Signal Output	1 Vp-p Composite Video (75 Ω)			
SYNC System	Internal / External (V-Lock)			
Lens	4.1 mm (Wide) ~ 73.8 mm (Tele)		3.5 mm (Wide) ~ 91 mm (Tele)	3.4 mm (Wide) ~ 122.4 mm (Tele)
Zoom	216X, 18x Optical, 12x Digital		312X, 26x Optical, 12x Digital	432X, 36x Optical, 12x Digital
S/N Ratio	More than 50dB			
Minimum Illumination	1.0 Lux, (F1.4, 1/60 S NTSC)	0.7 Lux, (F1.4, 1/60s NTSC)	0.001 Lux, (1/4s NTSC) ICR ON	1.4 Lux, (F1.6, 1/60s NTSC) / 0.1 Lux (F1.6, 1/4s)
Shutter	1/60~1/10,000 sec (NTSC), 16 Steps			1/1~1/10,000 sec (NTSC), 22 Steps
White Balance	ATW / Indoor / Outdoor / Manual / AWB / One Push WB			
Gain	Auto / Manual			
AE Control	Auto, Manual, Priority Mode, Bright, EV Compensation, Back-Light Compensation			
Picture Effect	Nega Art, Black & White, Mirror			
Pan	Speed 300°/sec			
Tilt	Speed 150°/sec			
Auto Cruising	5 Auto Cruising Tracks(Max), and 2 min patrol			
Power Source	AV24V input, Internal / External sync			
Temperature	Operating Temperature: -30° C~+50° C ; Storage Temperature: -20° C~+60° C			