

15-CD53

QTY/CTN:2



Colour Internal Speed Dome

480 TVL, 1/4" SONY super HAD CCD, 3.9~85.8mm with 23x optical and 10x digital zoom to give a total of 230x zoom, 1.0 Lux, Serial port control, AGC, ALC, AES, BLC, AWB, Preset mask, DSS, Auto Iris, RS-485 multi-protocols, 128 preset, Fitted into internal housing

FEATURES

- 1/4" SONY super HAD CCD
- 480 TV Lines, 1.0 Lux @ F1.6 / 0.01 Lux (DSS on)
- Digital Slow Shutter (DSS) and image freeze
- Auto iris
- 48 Back light compensation zone selectable
- F1.6~3.8, f =3.9~85.8mm
- 230x Zoom (23x optical zoom, 10x digital zoom)
- Pan range 0~360°, speed 0.5~260°/S
- Tilt range 0~90°, speed 0.5~120°/S
- 128 Preset positions, 1 Auto cruising track
- RS-485 multi protocols communication
- AC24V power supply
- Size: ø133 x 178 mm



15-CD53W

QTY/CTN: 2



Colour / Monochrome External Middle Speed Dome

480 TVL, 1/4" SONY super HAD CCD, 3.9~85.8mm with 23X optical and 10X digital zoom to give a total of 230X zoom, 0.03 Lux with ICR on, Switches from colour into monochrome view while under 2 Lux, Serial port control, AGC, ALC, AES, BLC, AWB, Preset mask, DSS, Auto Iris, RS-485 Multi-protocols, 128 Preset, Fitted in to external housing with wall mount bracket

CAMERA

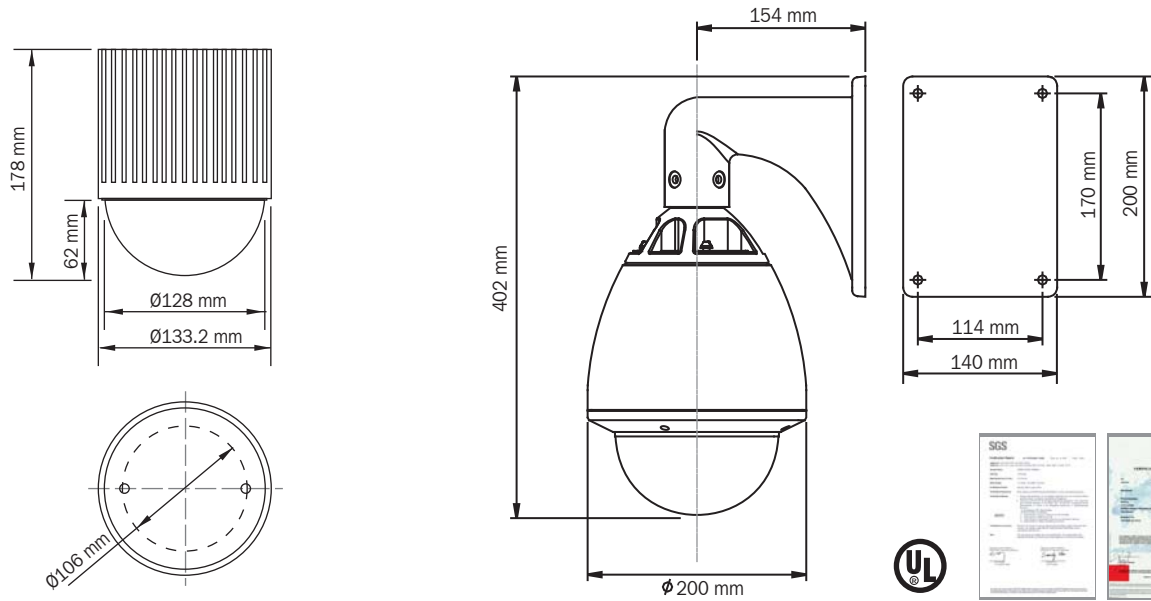
- 1/4" Colour SONY super HAD CCD
- 480 TV Lines, 0.03 Lux / 0.005 Lux (DSS on)
- Under 2.0 Lux into monochrome view
- Digital Slow Shutter (DSS) and Image freeze
- Auto iris & ICR zoom module**
- 48 Back light compensation zone selectable
- F1.6~3.8, f = 3.9 ~ 85.8 mm
- 230X zoom (23X optical zoom, 10X digital zoom)
- Built-in heater & blower
- Pan range 0~360°, speed 0.5~260°/S
- Tilt range 0~90°, speed 0.5~120°/S
- 128 Preset positions, 1 Auto cruising track
- RS-485 multi protocols communication
- AC24V power supply
- Housing Size: ø200 x 336 mm, weather proof, IP66

HOUSING

- External weather proof
- Built-in 24V heater and blower
- Die-cast metal construction
- Wall mount bracket included
- Sunshield available as option
- Size: ø200 x 336 mm

230X Zoom
Day & Night
Built-in ICR





SPECIFICATION

Camera Module Changeable, Please Refer to P.55

Item	15-CD53	15-CD53W
Zoom Camera Module	CZ55HM	CZ55HCM
Video Signal Output	1.0 Vp-p / 75Ω (Video 0.714Vp-p / Sync 0.286Vp-p)	
Picture Elements	NTSC: 768(H) x 494(V) / PAL: 752(H) x 582(V)	
Horizontal Resolution	480 TV Lines	
AGC	Auto (24 dB Max)	
ALC	Auto / Fix	
AES	Auto / Fix	
BLC	On / Off	
White Balance	ATW / AWB	
Optical Zoom	23X Zoom	
Digital Zoom	10X Zoom	
Focus	Auto / Manual	
Position	128 Position (Zoom, Focus)	
External Control	RS-485	
OSD Control	Zoom, Focus, Iris, AWB, AGC, Position, C Gain, APC Gain	
Enhancer	Manual H.Gain & V Gain	
H/V Reverse	Off / On	
Mask	Off / On	
Language	English / Chinese / Japanese	
Cross Line	Off / On	
Freeze	Off / On	
Picture Effect	Posi. / Nega	
Pan	Pan Range 0 ~ 360°, Speed 0.5~260°/S	
Tilt	Tilt Range 0 ~ 90°, Speed 0.5~120°/S	
Preset	128 Preset Positions (Max)	
Auto Cruise	1 Auto Cruising Tracks (Max)	
Power Source	AC24V / 1.7A	
Ambient Temperature	0°C ~ 60°C (Recommended 0°C ~ 40°C)	
Humidity	10% ~ 90%	