

15-CD46VABI

QTY/CTN: 12



Colour / Monochrome High Resolution Metal Dome Varifocal Lens Dome with IR LEDs

550TVL, 1/3" SONY super HAD CCD, 3.5-8.0 mm Lens, 0 Lux with 36 IR on @ 30 meters, AGC, AWB, 3-Axis Gymbal, Metal housing, 12VDC operation

FEATURES

- 1/3" SONY super HAD CCD
- 550 TV lines
- 0 Lux @ 36 IR LED's on
- Split glass to eliminate IR reflection**
- Varifocal iris lens 3.5-8.0mm
- LED range up to 30 meters
- Auto Gain Control (AGC)
- Auto White Balance control (AWB)
- Mirror picture function
- Camera Board mounted in 3-Axis gymbal
- Surface mount
- Metal housing
- Power input 12VDC
- PAL or NTSC system

Day & Night



15-CD46VABIC

QTY/CTN: 12



Colour / Monochrome High Resolution Metal Dome Varifocal IR cut Lens Dome with LED's

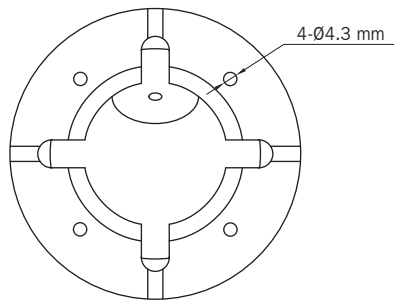
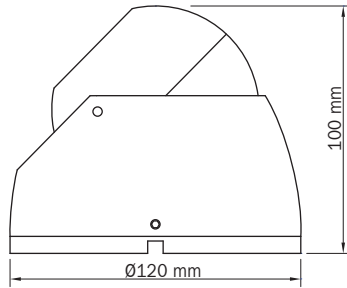
550TVL, 1/3" SONY super HAD CCD, 3.5-8.0 mm Lens, 0 Lux with 36 IR on @ 30 meters, ICR, AGC, AWB, 3-Axis Gymbal, Metal housing, 12VDC operation

FEATURES

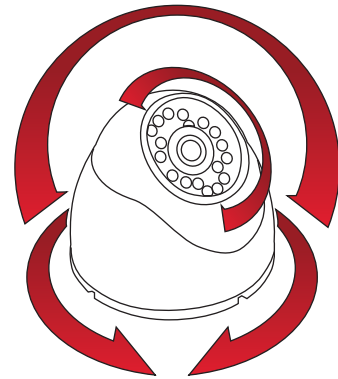
- 1/3" SONY super HAD CCD
- 550 TV lines
- 0 Lux @ 36 IR LED's
- LED range up to 30 meters
- Split glass to eliminate IR reflection**
- Varifocal lens 3.5~8.0mm
- IR power on and ICR work at synchronization**
- Super auto gain control (AGC)
- Auto white balance control (AWB)
- Back light compensation (BLC)
- IR cut removable
- Mirror picture function
- 3-Axis gymbal
- Surface mount
- Metal housing
- Power input 12VDC
- PAL or NTSC system

Built-in ICR





15-CD46VABI / 15-CD46VABIC



3 axis rotation

SPECIFICATION

| Items | 15-CD46VABI | 15-CD46VABIC |
|-------------------------|---|--|
| Type | Colour / Monochrome | |
| Pick Up Device | 1/3" SONY Super HAD CCD Image Sensor | |
| Picture Elements | NTSC: 768(H) x 494(V); PAL: 752(H) x 582(V) | |
| Horizontal Resolution | 550 TV Lines | |
| Mini Illumination | 0 Lux @ 36 IR LED's | |
| Vertical Frequency | NTSC: 60 Hz; PAL: 50 Hz | |
| Scanning System | 2 : 1 Interlace | |
| S/N Ratio | 50dB | |
| Electronic Shutter | AES | NTSC: 1/60 ~ 1/120,000 sec ; PAL: 1/50 ~ 1/120,000 sec |
| | AI | NTSC: 1/60sec; PAL: 1/50sec |
| Lens | 3.5 ~ 8 mm | |
| White Balance | Auto | |
| Back Light Compensation | On / Off | |
| Auto Gain Control | On / Off | |
| Gamma | 0.45 | |
| Video Output | 1 Vp-p Composite Video (75Ω) | |
| Power Supply | DC12V | |
| Power Consumption | 300 mA / DC12V (Max.) | |
| Dimensions | ø120 x 100 mm | |
| Weight | 950 g | |
| Storage Temperature | -30°C ~ 60°C | |
| Operating Temperature | -10°C ~ 45°C | |