

15-CD26AB

QTY/CTN: 12



Colour SONY Super HAD Vandal Resistant Dome
420TVL, 1/3" SONY Super HAD CCD, 1 Lux, 3.6mm Lens,
AGC, BLC, AWB, 3-Axis Gymbal, Vandal resistant dome
housing, 12VDC operation.

FEATURES

- 1/3" colour SONY CCD with mini fixed iris lens 3.6mm
- 420 TV lines, 1.0 Lux
- Auto electronic shutter (AES)
- Auto white balance control (AWB)
- Back light compensation (BLC)
- Auto gain control (AGC)
- 3-Axis gymbal
- Anti-drop wire for bubble cover
- Surface mount
- Metal housing
- Power input DC12V
- NTSC or PAL system
- Size: ø136 x 100 mm



15-CD26VAB

QTY/CTN: 12



Colour SONY Super HAD Vandal Resistant Dome with
Varifocal Lens
420TVL, 1/3" SONY Super HAD CCD, 1 Lux, 3.9~8.3mm varifocal
manual iris lens, AGC, BLC, AWB, 3-Axis Gymbal, Vandal resistant
dome housing, 12VDC operation.

FEATURES

- 1/3" colour SONY CCD
- 420 TV lines, 1.0 Lux
- Varifocal manual iris 3.9~8.3mm lens
- Auto Electronic Shutter (AES)
- Auto white balance control (AWB)
- Back light compensation (BLC)
- Auto gain control (AGC)
- 3-Axis gymbal
- Anti-drop wire for bubble cover
- Surface mount
- Metal housing
- Power input DC12V
- NTSC or PAL system
- Size: ø136 x 100 mm



15-CD27ABI

QTY/CTN: 20

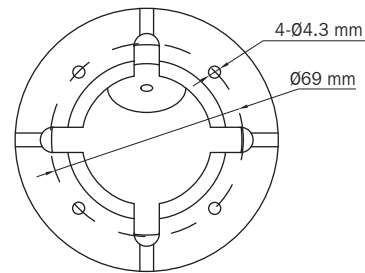
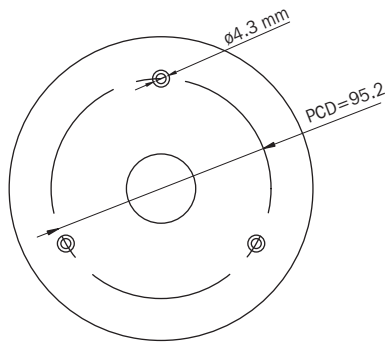
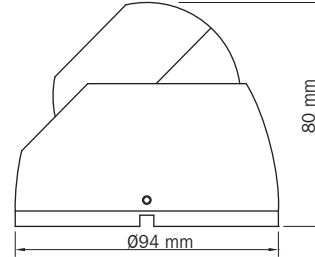
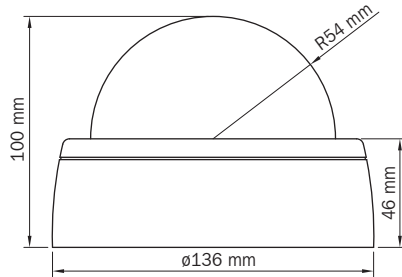


Colour / Monochrome SONY Super HAD Metal Dome with IR LED's
420TVL, 1/3" SONY Super HAD CCD, Colour / Monochrome 0 Lux
with IR on @ 24 meters, 3.6mm Lens, AGC, BLC, AWB, 3-Axis Gymbal,
Metal housing with 24 IR LEDs, 12VDC operation.

FEATURES

- 1/3" colour / Monochrome DSP with mini fixed iris lens 3.6mm
- 420 TV lines
- 0 Lux with IR LED 24 PCE
- LED range up to 20 meters
- Split glass to eliminate IR reflection**
- IR power on and Color into Mono. in synchronization**
- Auto electronic shutter (AES)
- Auto white balance control (AWB)
- Back light compensation (BLC)
- Auto gain control (AGC)
- 3-Axis gymbal
- Surface mount
- Metal housing
- Power input DC12V
- NTSC or PAL system
- Size: ø94 x 80 mm





15-CD26AB / 15-CD26VAB

15-CD27ABI

SPECIFICATION

Items	15-CD26AB	15-CD26VAB	15-CD27ABI
Type	Colour		Colour / Monochrome
Pick Up Device	1/3" SONY Super HAD CCD Image Sensor		
Picture Elements	NTSC: 510(H) x 492(V); PAL: 500(H) x 582(V)		
Horizontal Resolution	420 TV Lines		
Mini Illumination	1.0 Lux		0 Lux @ 24 IR LED on
Vertical Frequency	NTSC: 60 Hz; PAL: 50 Hz		
Scanning System	2 : 1 Interlace		
S/N Ratio	50dB		
Electronic Shutter	AES	NTSC: 1/60 ~ 1/120,000 sec; PAL: 1/50 ~ 1/120,000 sec	
	AI	NTSC: 1/60sec; PAL: 1/50sec	
Lens	3.6 mm / F 2.0	3.9 ~ 8.3mm	3.6 mm / F 2.0
White Balance	Auto		
Back Light Compensation	On / Off		
Auto Gain Control	Auto		
Gamma	0.45		
Video Output	1Vp-p Composite Video (75Ω)		
Power Supply	DC12V		
Power Consumption	100mA		100mA (IR off) / 270mA (IR on)
Dimensions	ø136 x 100 mm		ø94 x 80 mm
Weight	1,100 g		560 g
Storage Temperature	-30°C ~ 60°C		
Operating Temperature	-10°C ~ 45°C		