

15-CD24

QTY/CTN: 21



Colour Medium Resolution Mini CCD Dome Camera
380TVL, 1/4" DSP Colour CCD, 2 Lux, 3.6 mm Lens, small dome housing, 12VDC operation.

FEATURES

- 1/4" colour DSP with mini fixed iris lens 3.6mm
- 380 TV lines
- 2.0 Lux @ F2.0
- Auto electronic shutter (AES)
- Auto gain control (AGC)
- Power input DC12V
- NTSC or PAL system
- Size: ø113 x 80 mm



15-CD25I

QTY/CTN: 21



Colour / Monochrome SONY Super HAD DSP CCD Dome Camera with IR LED's
420TVL, 1/3" SONY Super HAD DSP CCD, 0 Lux with IR LED's x 18, LED range up to 15 meters, photo cell to switch LED's on/off, 3.6mm lens, AGC, BLC, AWB, 3-Axis Gymbal, 12VDC operation.

FEATURES

- 1/3" colour / monochrome DSP with mini fixed iris lens 3.6mm
- 420 TV lines
- 0 Lux with IR LED 18 PCE
- LED range up to 15 meters
- Split glass to eliminate IR reflection**
- Auto electronic shutter (AES)
- Auto white balance control (AWB)
- Back light compensation (BLC)
- Auto gain control (AGC)
- 3-Axis Gymbal
- Power input DC12V
- NTSC or PAL system
- Size: ø94 x 80 mm



15-CD35VA

QTY/CTN: 12

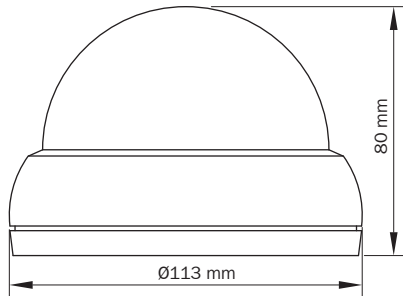


Colour SONY Super HAD CCD Medium Resolution Varifocal Dome Camera
420TVL, 1/3" SONY Super HAD CCD, 1 Lux, 3.9~8.3mm F1.4 Lens, AGC, BLC, AWB, 3-Axis Gymbal, 12VDC operation.

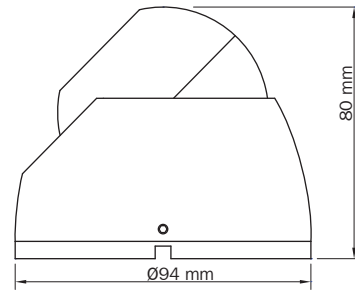
FEATURES

- 1/3" colour DSP with varifocal manual iris lens 3.9~8.3mm
- 420 TV lines, 1.0 Lux
- Auto electronic shutter (AES)
- Auto white balance control (AWB)
- Back light compensation (BLC)
- Auto gain control (AGC)
- 3-Axis Gymbal
- Anti-drop wire for bubble cover
- Power input DC12V
- NTSC or PAL system
- Size: ø136 x 100 mm

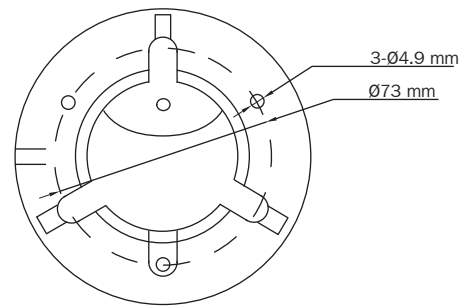
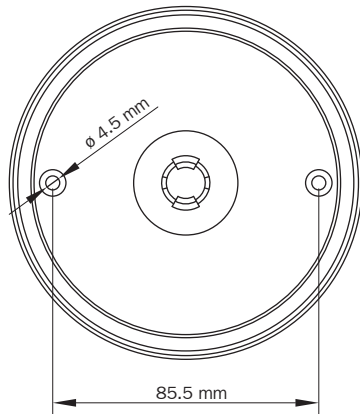




15-CD24



15-CD25I



SPECIFICATION

Items	15-CD24	15-CD25I	15-CD35VA
Type	Colour	Colour / Monochrome	Colour
Pick Up Device	1/4" Colour CCD Sensor	1/3" SONY Super HAD CCD	
Picture Elements	NTSC: 510(H) x 492(V) / PAL: 500(H) x 582(V)		
Horizontal Resolution	380 TV Lines	420 TV Lines	
Vertical Frequency	NTSC: 60Hz; PAL: 50Hz		
Scanning System	2 : 1 Interlace		
Mini Illumination	2.0 Lux	0 Lux @ IR On	1.0 Lux
S/N Ratio	≥ 50dB		
Electronic Shutter	NTSC: 1/60~1/120,000 sec; PAL: 1/50~1/120,000 sec		
White Balance	Auto		
Black Compensation	On		
Gain Control	Auto		
Gamma	0.45		
Video Output	1Vp-p Composite Video (75Ω)		
Lens	3.6 mm / F2.0		3.9~8.3mm
Power Supply	DC12V		
Power Consumption	100mA	100mA / 270mA (IR On) Max	130mA
Dimensions	ø113(D) x 80(H) mm	ø94(D) x 80(H) mm	ø136(D) x 100(H) mm
Weight	175 g	200 g	400 g
Storage Temperature	-30°C ~ 60°C		
Operation Temperature	-10°C ~ 45°C		